

roller container (CR.A1)

roller container CR.A1



- stainless steel roller container
- transparent plastic cover
- 4 lockable casters
- guide tube for suction pipe

article number	volume	Ø	H	α
CR.A1.0060.0400.1.CR	60 l	400	735	90°
CR.A1.0120.0450.1.CR	120 l	450	995	90°
CR.A1.0240.0630.1.CR	240 l	630	1040	90°

roller container (CR.B1 / CR.B2)

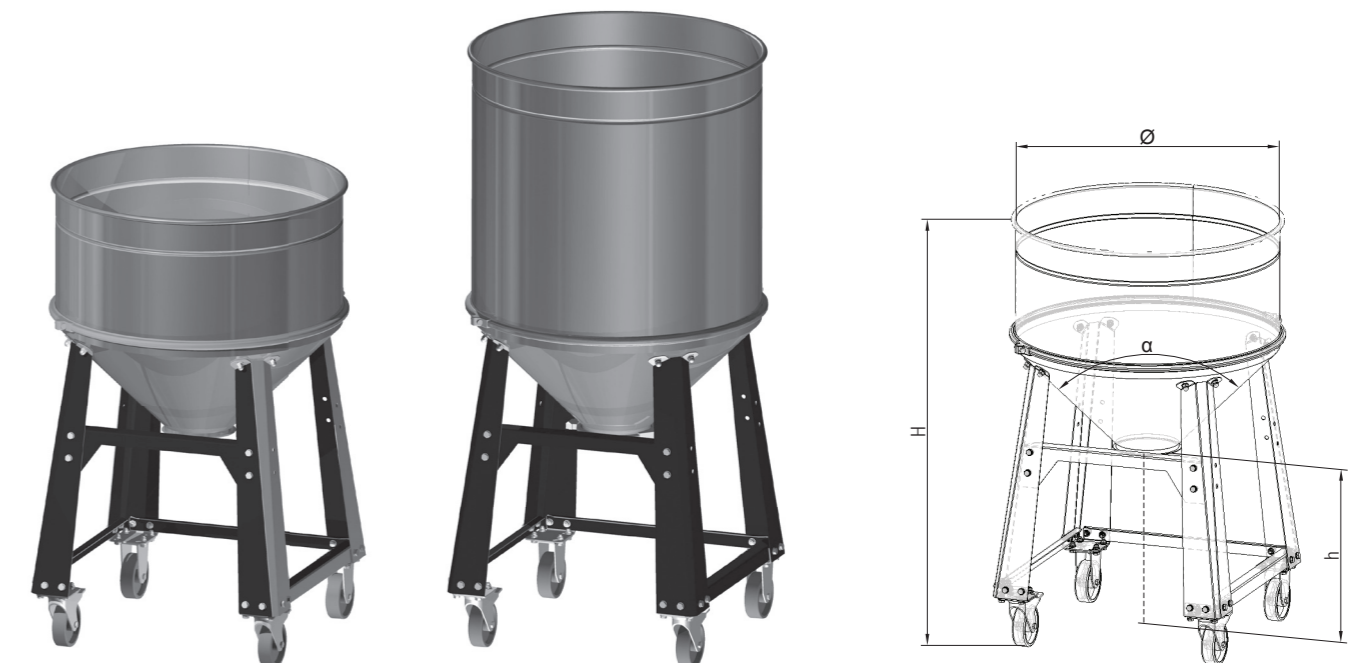
roller container CR.B1



- stainless steel roller container
- 4 steel feet (RAL9005)
- 4 casters (thereof 2 steerable)
- options: on following pages

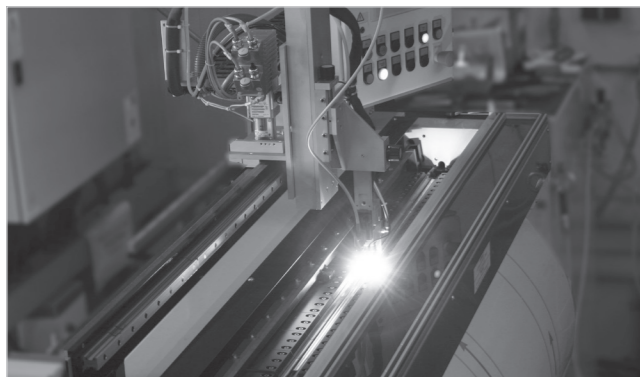
article number	volume	Ø	H	h	α
CR.B1.0120.0630.1.CR	120 l	630	747	170	90°
CR.B1.0215.0630.1.CR	215 l	630	1030	170	90°

roller container CR.B2



- stainless steel roller container
- 4 steel feet (RAL9005)
- 4 casters (thereof 2 steerable)
- options: on following pages

article number	volume	Ø	H	h	α
CR.B2.0120.0630.1.CR	120 l	630	1035	450	90°
CR.B2.0215.0630.1.CR	215 l	630	1320	450	90°



roller container (CR.B1 + CR.B2)

accessories

article number	description	material	Ø	connection measurements*
CR.Z.DECKEL.400.1	cover	plastics, transparent	400	
CR.Z.DECKEL.450.1	cover	plastics, transparent	450	
CR.Z.DECKEL.630.1	cover	plastics, transparent	630	
CR.Z.DECKEL.630.2	cover	plastics, black	630	
CR.Z.DECKEL.630.9	cover, foldaway	stainless steel	630	
CR.Z.DECKEL.630.KOC.1	cover for vakuüm conveyor	stainless steel	630	Di 60; 4 x M8 (190x190)
CR.Z.DECKEL.630.MOT.1	cover for vakuüm conveyor	stainless steel	630	Di 175; BCD 195 (8 x M6)
CR.Z.DECKEL.630.MOT.2	cover for vakuüm conveyor	stainless steel	630	Di 240; BCD 260 (8 x M6)
CR.Z.DECKEL.630.PIO.1	cover for vakuüm conveyor	stainless steel	630	Di 240; BCD 280 (4 x M8)
CR.Z.DECKEL.630.WIT.1	cover for vakuüm conveyor	stainless steel	630	Di 200; BCDw 226 (6 x M6)
CR.Z.ROST.630.01.CR	grid	stainless steel	630	

*additional measurements appropriate customers' specifications



article number	description	material	suction tube adapters	Ø
ASK.CR.1	suction box 1-way	stainless steel	1	
ASK.CR.2	suction box 2-way	stainless steel	2	
ASK.CR.SGL.038	suction pipe	stainless steel		38
ASK.CR.SGL.040	suction pipe	stainless steel		40
ASK.CR.SGL.045	suction pipe	stainless steel		45
ASK.CR.SGL.050	suction pipe	stainless steel		50
ASK.CR.SGL.054	suction pipe	stainless steel		54
ASK.CR.SGL.060	suction pipe	stainless steel		60
CR.Z.SCHIEBER.01.CR	slide valve	stainless steel		150



roller container (CR.B1 + CR.B2)

examples

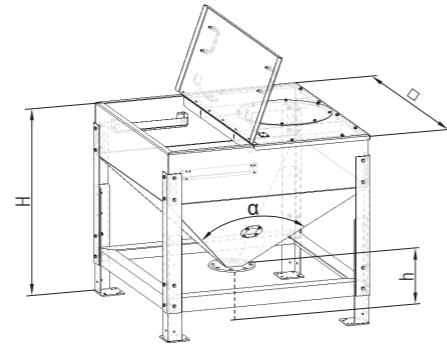


container

container CE.A1 (adjustable in height)



- aluminium container
- foldaway cover with stop
- support for bar grate
- hole for vacuum conveyor on the roof (closed by plate)
- hole for level indicator in the cone (closed by plate)



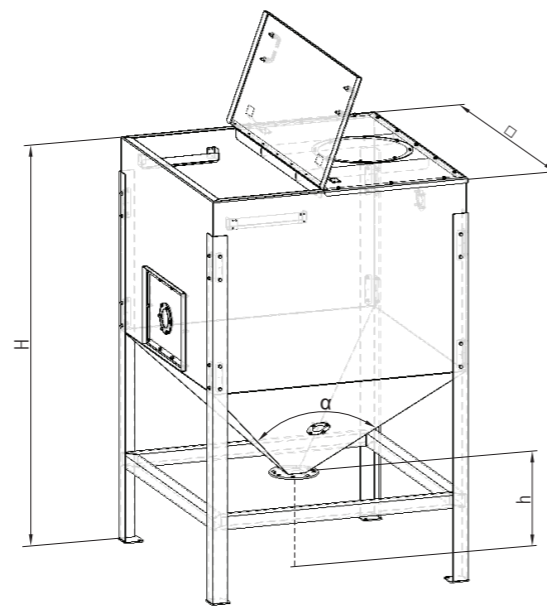
article number	volume	□	H*	h	α
CE.A1.0400.1000.1000.90.01.AL	400 l	1000	920	200	90°
CE.A1.0500.1000.1000.90.01.AL	500 l	1000	1000	200	90°
CE.A1.0500.1200.1200.90.01.AL	500 l	1200	920	200	90°
CE.A1.0750.1200.1200.90.01.AL	750 l	1200	1100	200	90°

*the feet are adjustable in height to measure h=300 bzw. h=400 mm

Container CE.A1



- aluminium container
- foldaway cover with stop
- support for bar grate
- hole for vacuum conveyor on the roof (closed by plate)
- hole for level indicator in the cone (closed by plate)
- inspection chamber (450 x 300 mm) with sight glass



article number	volume	□	H	h	α
CE.A1.1000.1200.1200.90.01.AL	1000 l	1200	1570	400	90°
CE.A1.1500.1200.1200.90.01.AL	1500 l	1200	1920	400	90°
CE.A1.2000.1200.1200.90.01.AL	2000 l	1200	2270	400	90°
CE.A1.2000.1500.1500.90.01.AL	2000 l	1500	1860	400	90°
CE.A1.2500.1500.1500.90.01.AL	2500 l	1500	2080	400	90°
CE.A1.3000.1500.1500.90.01.AL	3000 l	1500	2330	400	90°
CE.A1.4000.1500.1500.90.01.AL	4000 l	1500	2780	400	90°
CE.A1.4800.1500.1500.90.01.AL	4800 l	1500	3130	400	90°

container

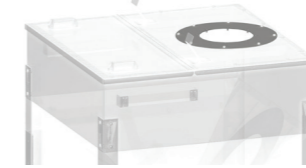
container CE.A1 accessories

article number	description	material	length	connection measurements*
CE.Z.ROST.1000.CR	grid	stainless steel	1000	
CE.Z.ROST.1200.CR	grid	stainless steel	1200	
CE.Z.ROST.1500.CR	grid	stainless steel	1500	
CE.Z.ADAPT.SFG.KOC.01.CR	adapter plate for vacuum conveyor	stainless steel		Di 226; 4 x M8 (190x190)
CE.Z.ADAPT.SFG.MOT.01.CR	adapter plate for vacuum conveyor	stainless steel		Di 175; BCD 195 (8 x M6)
CE.Z.ADAPT.SFG.MOT.02.CR	adapter plate for vacuum conveyor	stainless steel		Di 240; BCD 260 (8 x M6)
CE.Z.ADAPT.SFG.PIO.01.CR	adapter plate for vacuum conveyor	stainless steel		Di 240; BCD 280 (4 x M8)
CE.Z.ADAPT.SFG.WIT.01.CR	adapter plate for vacuum conveyor	stainless steel		Di 300; BCD 354 (6 x M6)
CE.Z.GM.10.CR	sleeve 1" with plate	stainless steel		
CE.Z.GM.15.CR	sleeve 1 1/2" with plate	stainless steel		
CE.Z.ROLLEN**	roller for container „CE“			

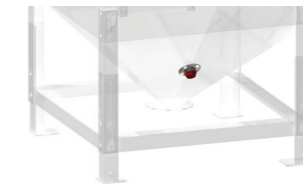
*additional measurements appropriate customers' specifications
** for container up to 750l volume



CE.Z.ROST. ...



CE.Z.ADAPT.SFG. ...

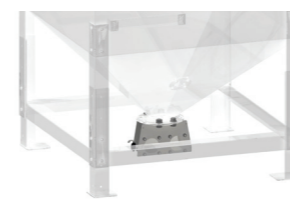


CE.Z.GM. ...



CE.Z.ROLLEN

article number	description	material	suction tube adapters	Ø
ASK.CE.1	suction box (ASK.CE) 1-way	stainless steel	1	
ASK.CE.2	suction box (ASK.CE) 2-way	stainless steel	2	
ASK.SL.A.CE	adapter plate for container connection	stainless steel		
ASK.SL.B.1	suction box (ASK.SL) 1-way	stainless steel	1	
ASK.SL.B.2	suction box (ASK.SL) 2-way	stainless steel	2	
ASK.SL.B.4	suction box (ASK.SL) 4-way	stainless steel	4	
ASK.SL.C.038.SIEB	suction pipe	stainless steel		38
ASK.SL.C.040.SIEB	suction pipe	stainless steel		40
ASK.SL.C.045.SIEB	suction pipe	stainless steel		45
ASK.SL.C.050.SIEB	suction pipe	stainless steel		50
ASK.SL.C.060.SIEB	suction pipe	stainless steel		60
ASK.SL.C.065.SIEB	suction pipe	stainless steel		65
ASK.SL.C.070.SIEB	suction pipe	stainless steel		70
ASK.SL.C.076.SIEB	suction pipe	stainless steel		76



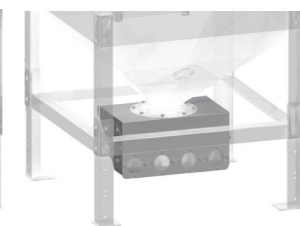
ASK.CE. ...



ASK.SL.C. ...



ASK.SL.A.CE



ASK.SL.B. ...



ASK.SL.C. ...



Pour tout renseignement ou demande de prix sur ces produits, merci de nous contacter :

MAT SARL

ZI Le Pradon

01130 NANTUA

Tél : 04.74.76.72.87

Fax : 04.74.76.72.88

service.commercial@mat-technologic.com